

**BULLITT**  
ENGINEERING



# WHO WE ARE?

BULLITT Engineering is involved in design, testing, prototyping and small batch production of industrial equipment for OEMs as well as manufacturing engineering including process control, support and tooling design and production.

BULLITT Engineering employs 12 engineers and a Technical Manager.

For its assembly the company uses the services of its sister company SL Industries, Bulgaria.

The company operates in an assembly shop and office in Rousse, Bulgaria.

# Equipment Design & Prototyping

We design lifting and port equipment according to specific requirements of OEMs.

Bullitt Engineering capabilities include:  
3D modeling;

- 2D production documentation;
- Operating Manuals development;
- Development of Parts Manuals;
- Design of Equipment Control Software;
- Technical Support during life cycle of the machine

Shown on the right- Reach Stacker 45t – RSV4531  
designed, small batch production



Shown on this slide- design 3D and real machine- Rough Terrain 80MT capacity (RT90),  
prototype and small batch production capabilities for OEM in Saudi Arabia

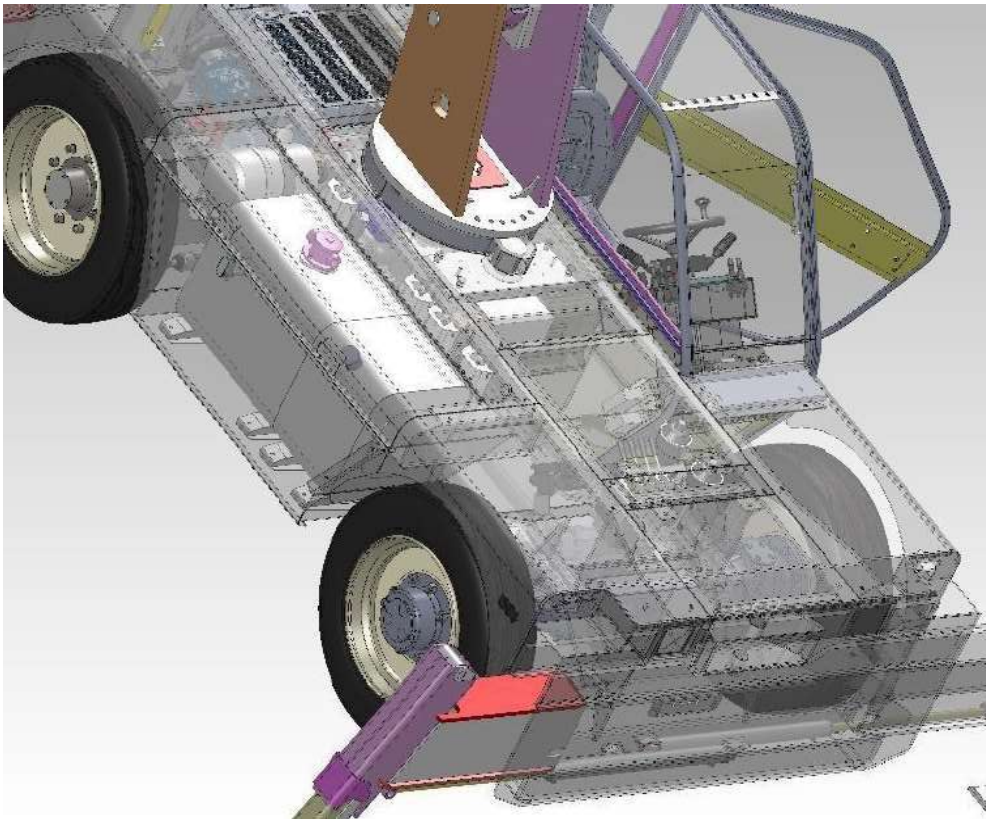
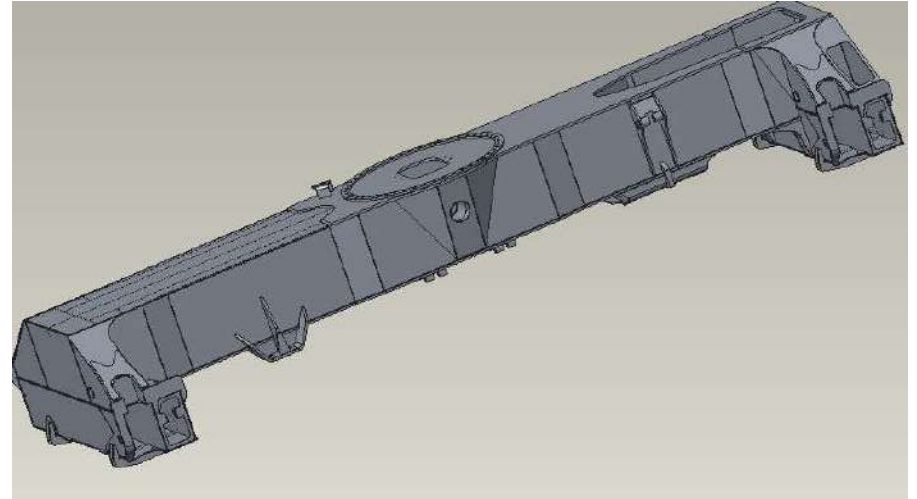
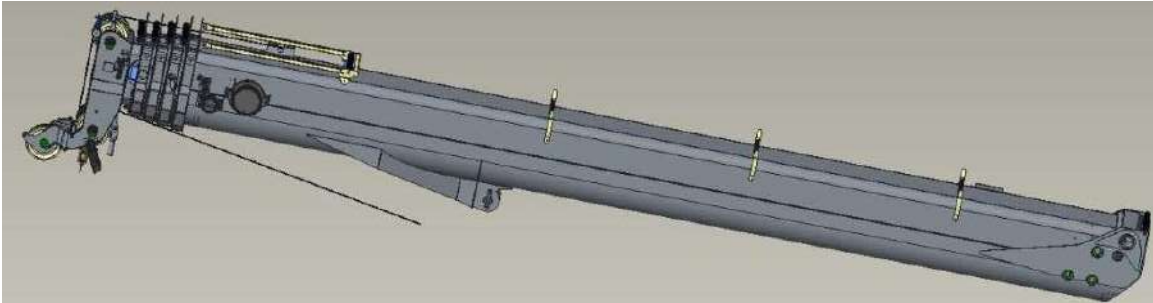


# Prototype machines

8.5Crane Designed and produced for Manitex - USA

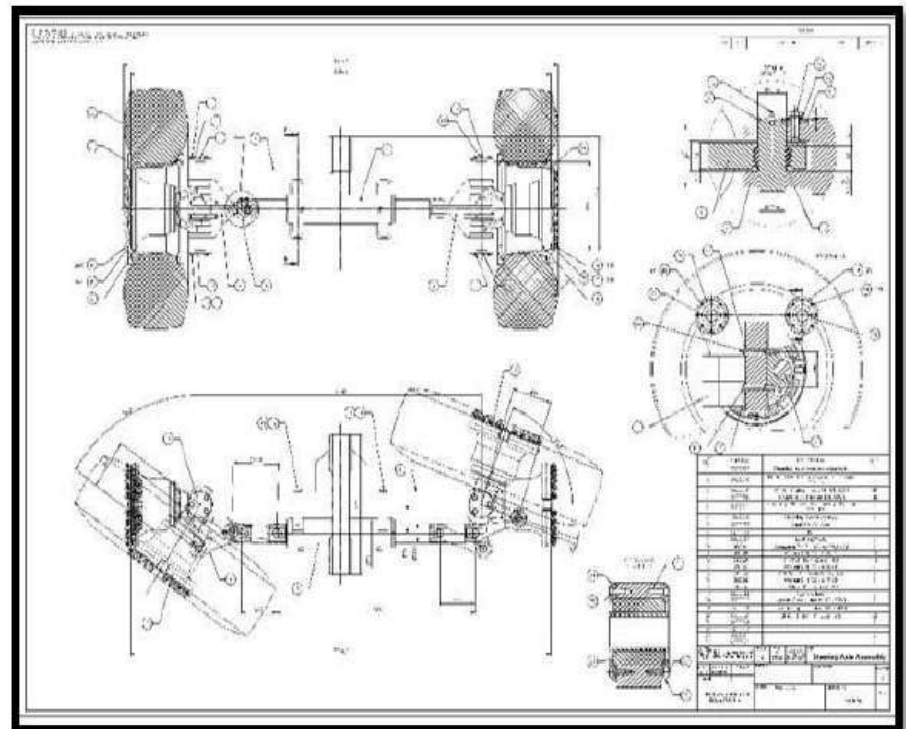
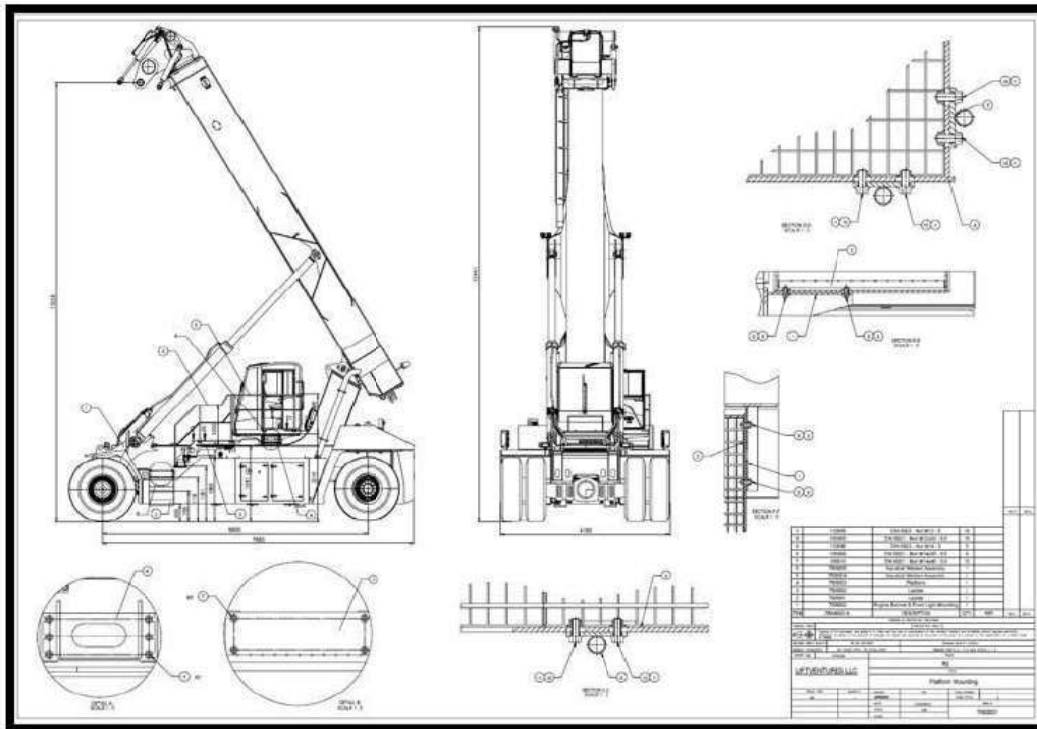
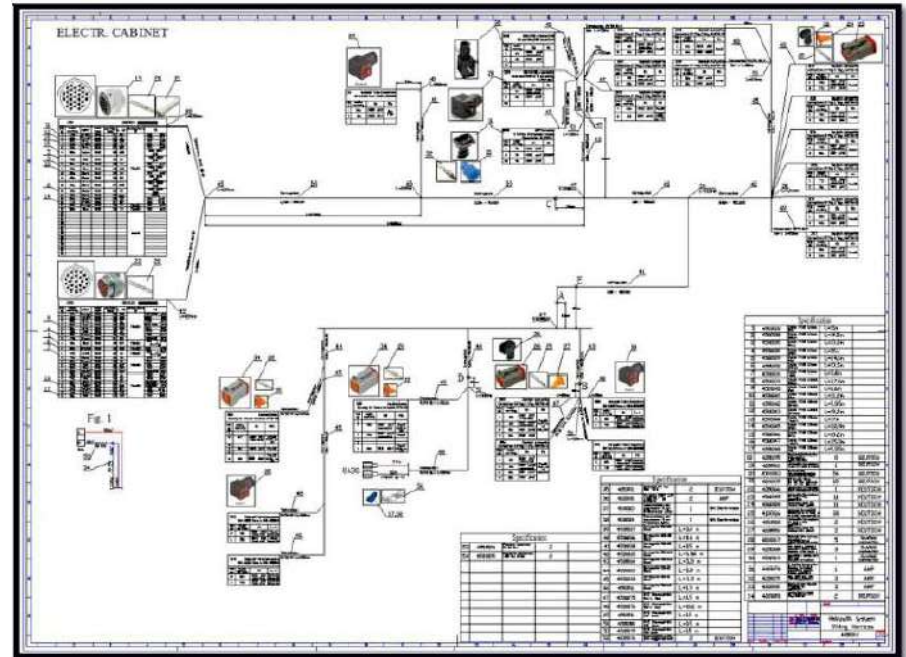


# Technical Capabilities- 3D modeling



# Technical Capabilities

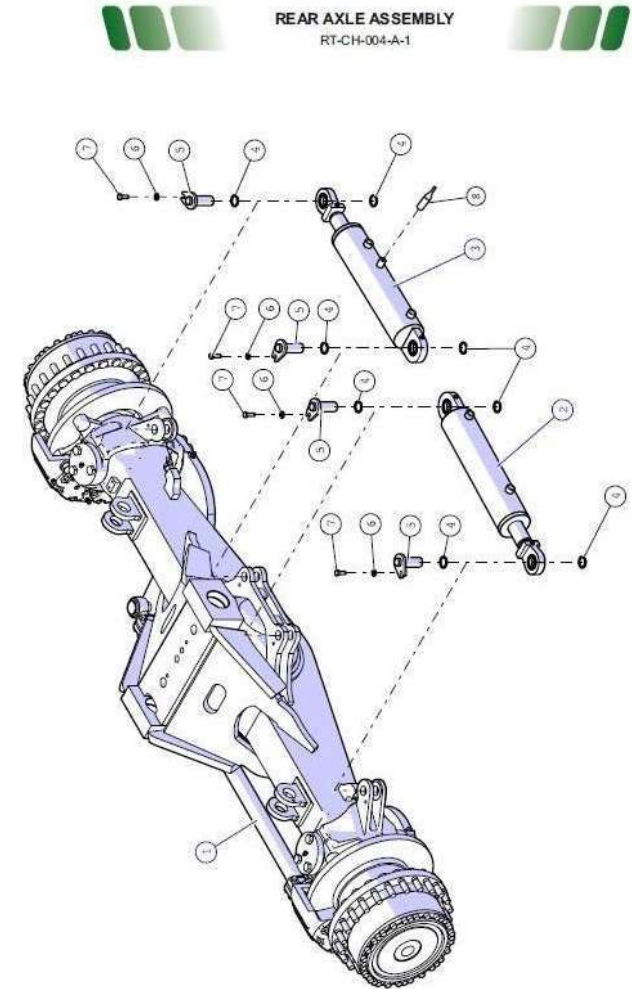
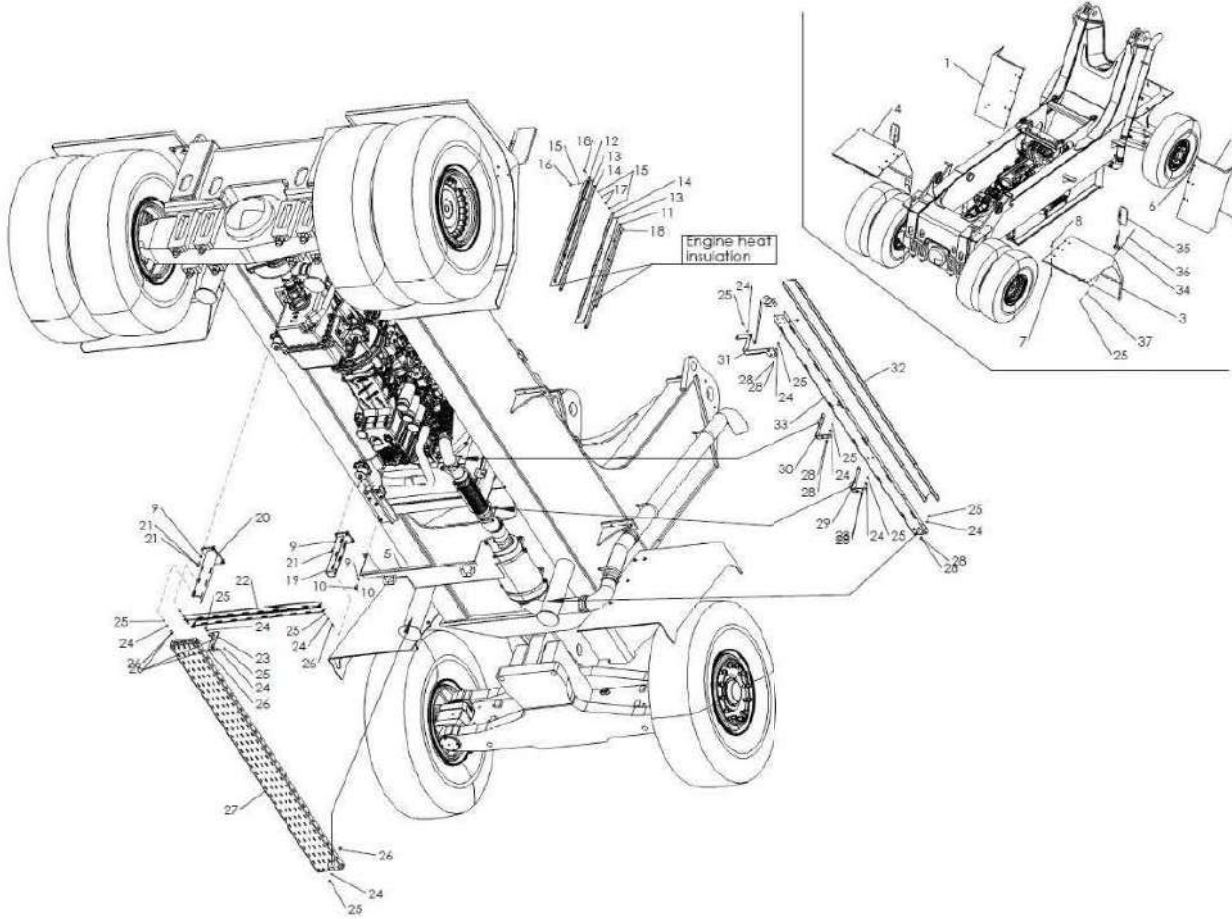
2D production documentation



# Technical Capabilities

Design of electronic Operators and Parts Manuals

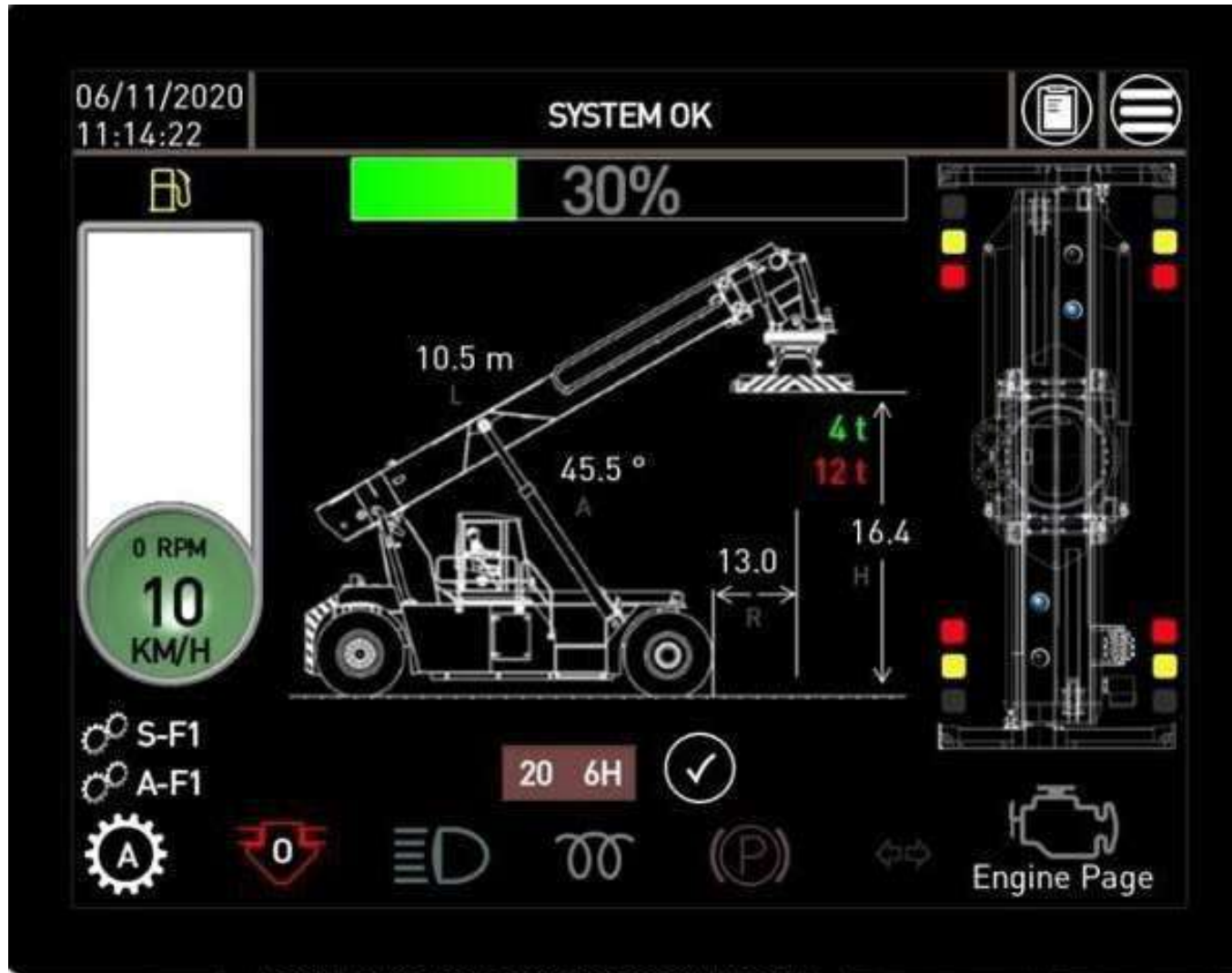
TABLE No	DESCRIPTION	SUBGROUP No	VARIATION No
003	Accessories Mounting	A	1

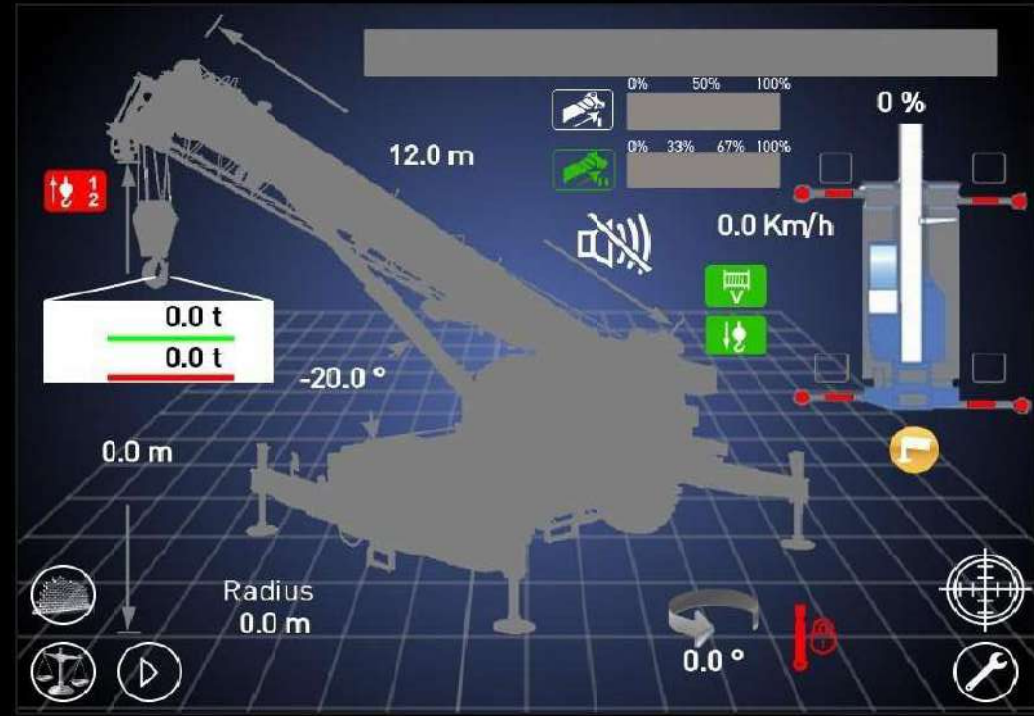




# Equipment Control Software

Shown below - Reach Stacker Control Panel



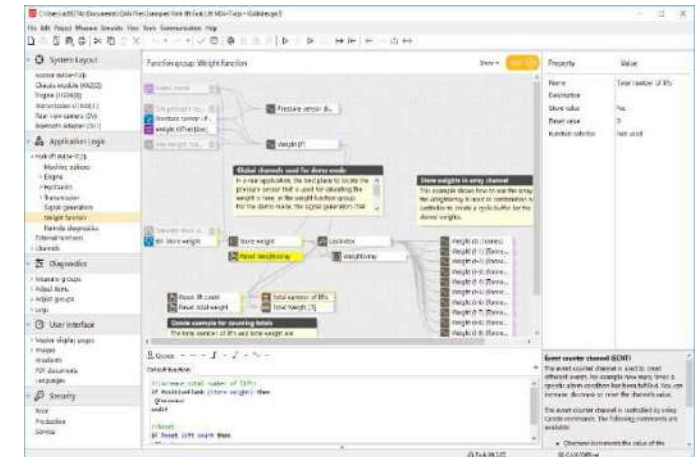


Shown above- Rough Terrain Crane Control Panel

# Equipment Control Software

We design our equipment functionality to be simple, fast and intuitive.

In the last 4 years we trained to design the Electronic Control Software both for system layout and machine functions.



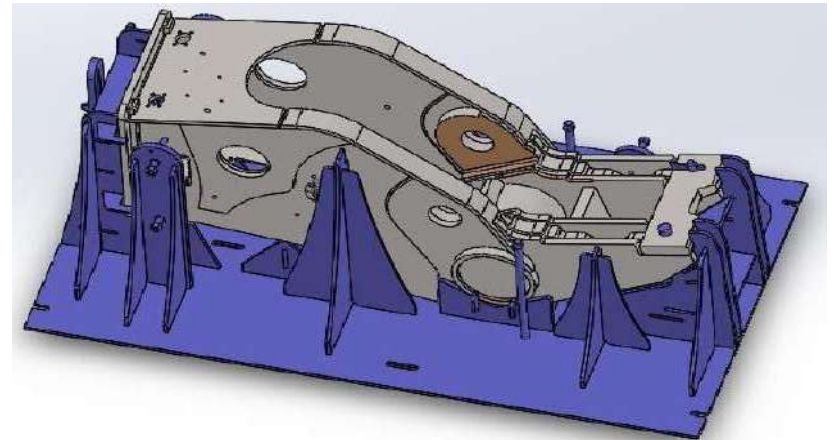
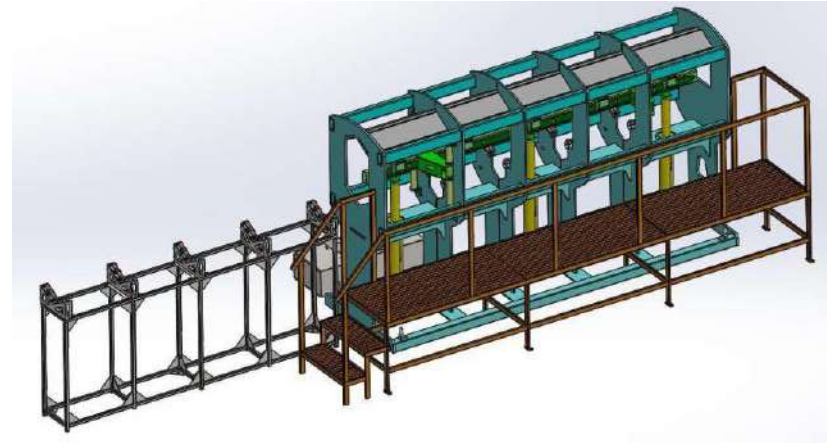
# Manufacturing Support

## Welding Processes

We provide support to our sister companies SL Industries and SL Manufacturing with design and production of tooling and fixtures for product fitting and welding.

We have a group of 4 engineers and technicians to provide Robotic integration and welding or beveling programming.

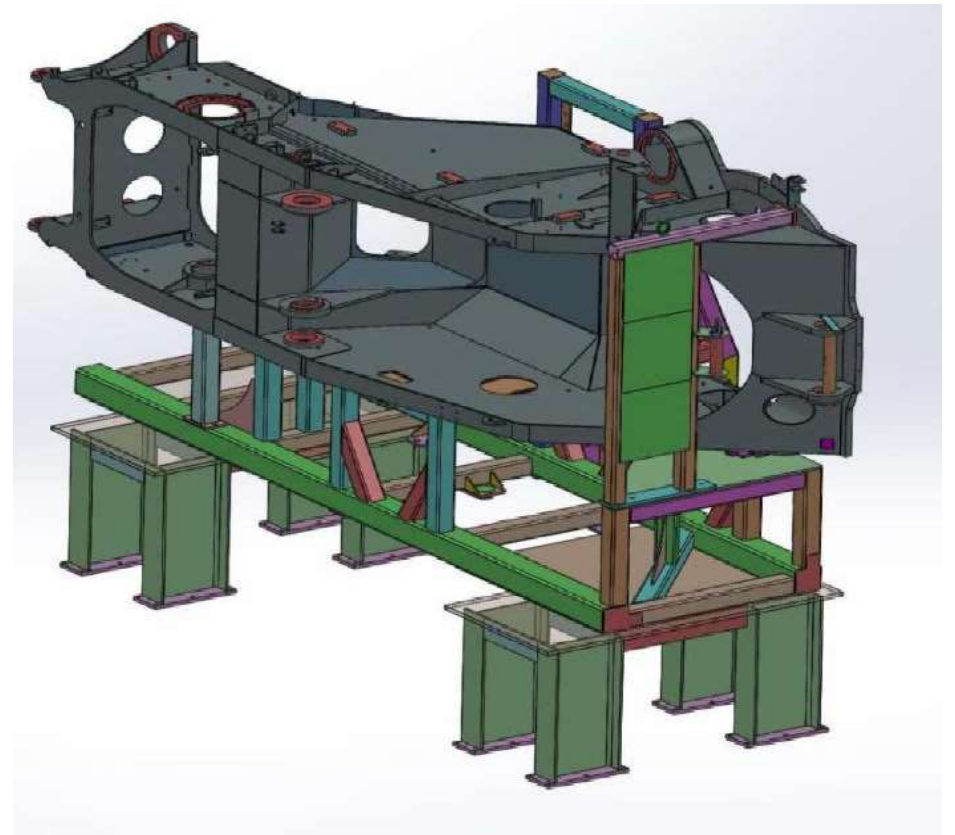
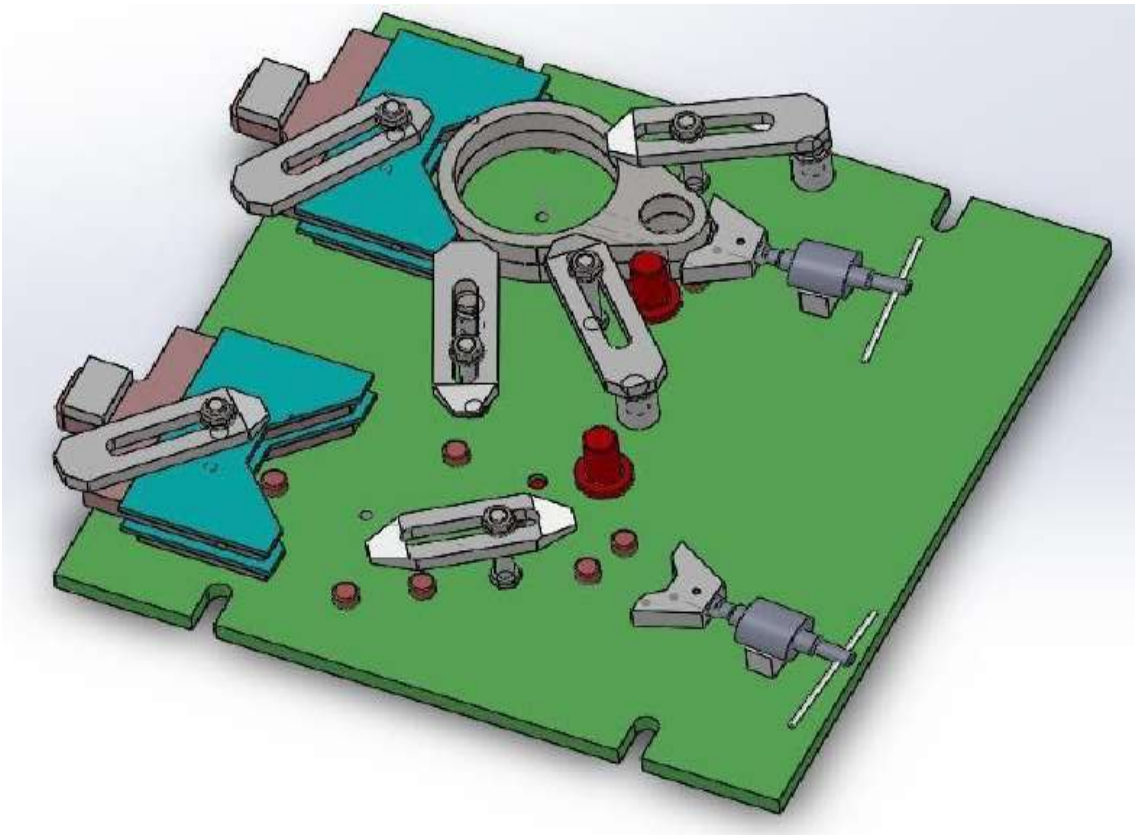
Robotics will become an important side of our business and we are heavily investing in equipment, software and people. This will form a separate department in very near future.



# Manufacturing Support

## Pre-weld and final machining fixtures

Productivity and efficiency of people, machines and processes are the most important goals for our teams in Operating and Support units.





**THANK YOU**